

Specifications

SV7QLCD-T4

Size	7" TFT-LCD Monitor w/Quad screen
Panel	Innolux Digital New Panel
Aspect ratio	16:9
Resolution	800xR.G.Bx480
System	PAL/NTSC auto switching
Video/Audio in	4 video inputs & 1 audio input
Speaker	yes
Trigger Function	4 trigger inputs, 1 for each video channel
Power range	DC 9-32V
Display mode	full/2/3/4 images adjustable

Warranty

TECHNICALSUPPORT

For Technical Support please contact support.usa@smartwitness.com

LIMITEDWARRANTY

This product is supplied with a 1 Year warranty. The Warranty excludes products that have been misused (including accidental damage) and damage caused by normal wear and tear. In the unlikely event that you encounter a problem with this product, it should be returned to the place of purchase.



support.smartwitness.com



SV7QLCD-T4

7" LCD Monitor for Vehicles

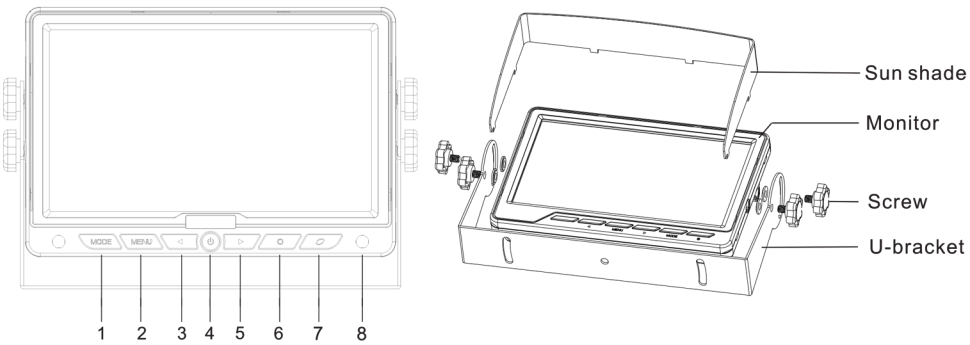


BEFORE YOU BEGIN

- Please unpack the box carefully and identify that all the parts are present.
- The monitor is suitable for indoor applications like car rear vision or CCTV surveillance system.
- Make sure you use the recommended power input. Damage caused to the monitor by incorrect voltage is not covered by the warranty.
- Do not attempt to open the casing to access the monitor. Damage caused to the monitor by tampering with the monitor casing is not covered by the warranty.

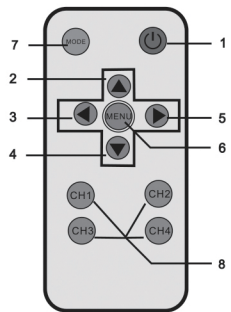
WARNING: SmartWitness installations should be performed by a qualified individual or installation professional only. Working with a vehicle's power system can be dangerous to both you and your vehicle. This installation is intended only to be a guide since vehicle designs and power/input sources can vary significantly from vehicle to vehicle.

Product Description



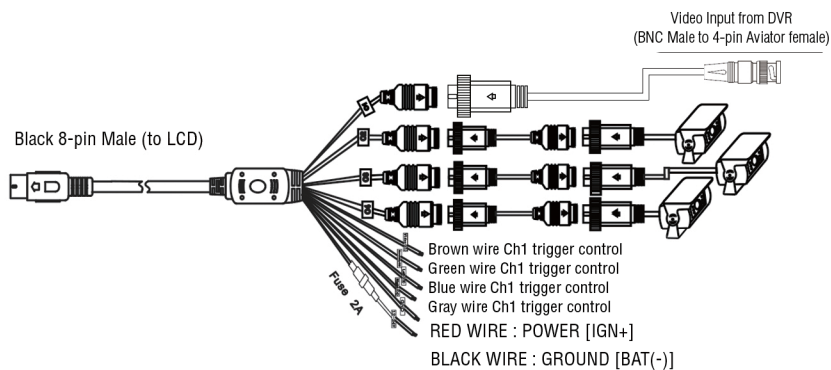
- 1) Video Select
- 2) Menu
- 3) Increase Button
- 4) Power
- 5) Decrease Button
- 6) Brightness Mode
- 7) Normal/Mirror
- 8) IR receiver

Remote Control



- 1) Power
- 2) Up button
- 3) Decrease button
- 4) Down button
- 5) Increase button
- 6) Menu
- 7) Toggle layout
- 8) Direct channel select

Wiring Connection



Monitor Standard Installation

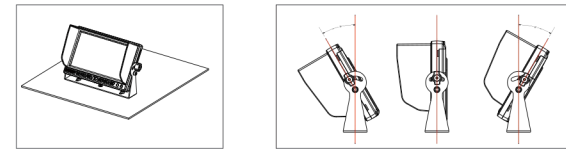
- 1 Remove the adjustable tilt screw completely and remove the monitor from the U Bracket. Place the U bracket to the desired mounting location and prepare the 3 bracket screws



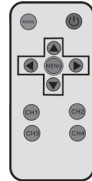




- 2 Secure the bracket with the 3 included screws. Then place the LCD monitor into the bracket and secure again with the adjustable tile screws



- 3 Adjust the LCD monitor angle by loosening the tilt screws and setting your desired angle. The LCD can be tilted a maximum of 30°, frontward or backward. Tighten tile screws to set the angle



Included Accessories

Remote control x 1 PCS 	User manual x 1 PCS 	Power cable x 1 PCS 
Sun shade x 1 PCS 	Bracket Accessories x 1 PCS 	DVR to LCD Video Cable 