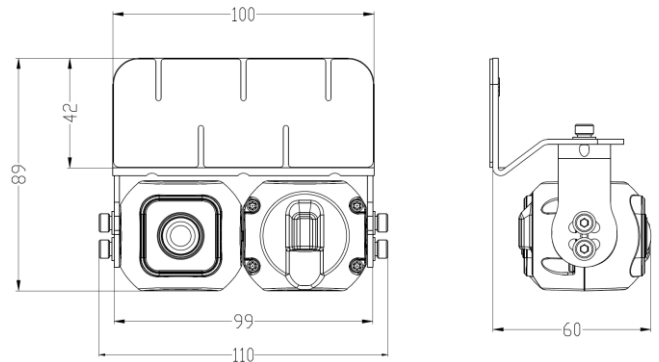


Model: **SVA055-CA**



Dimensions (mm):



Packing list

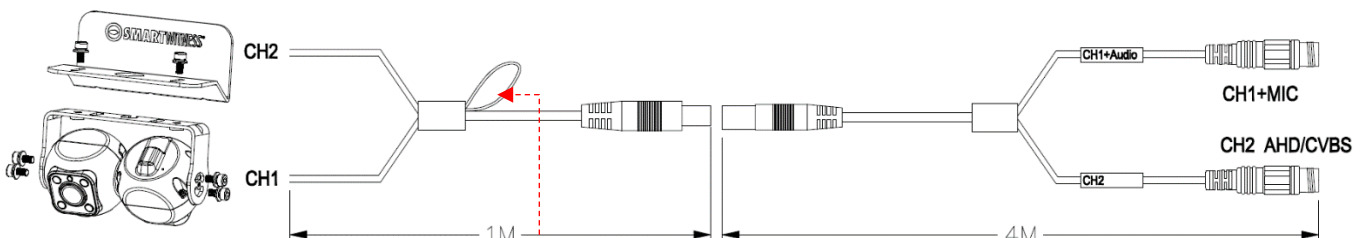
SVA055-CA Camera	1
Windshield bracket with 3M adhesive pad	1
Windshield bracket screws	2
H bracket screws	4
4m Extension cable (connects to CP4 or CRX DVR)	1
Hex key	1
Instruction Manual	1

Specifications:

SVA055-CA	Road Facing Camera	Driver Facing Camera
Image Sensor	1/2.8" CMOS Sony IMX 307	1/3" CMOS AR0130 720P
TV System	NTSC	NTSC
Picture Elements	1920 (H) x 1080 (V)	1280 (H) x 960 (V)
Sensitivity	0.001 Lux/F1.2	0 Lux (IR LED On)
Scanning System	Progressive scan RGB CMOS	Progressive scan RGB CMOS
Synchronization	Internal	Internal
Auto Gain Control (AGC)	Auto	Auto
Electronic Shutter	Auto	Auto
BLC	Auto	Auto
Infrared Spectrum	N/A	850nm
Infrared LED	N/A	4 LEDs
Video Output	1 Vp-p, 75Ω, AHD	1 Vp-p, 75Ω, AHD
Audio Output	Yes	N/A
Lens	f2.5mm Megapixel	f2.1mm Megapixel
Power Supply	12V DC ± 10%	12V DC ± 10%
Power Consumption	135mA (Max)	110mA (Max)
Dimensions	110mm*60mm*90mm	
Net Weight	Camera 260g, cable 180g	
Weatherproof/Water Proof	N/A	N/A
Operating Temperature	-30° C ~ +70 ° C	-30° C ~ +70 ° C

Operation procedures:

1. Attach Windshield bracket to the H bracket using the two bracket screws
2. Clean the windshield area where the SVA055-CA will be mounted (the camera lenses should be within the top 2" of the windshield wiper zone, and centered).
3. Remove the 3M adhesive backing and press firmly on the glass for 30 seconds.
4. Loosen and adjust the side screws on the H bracket to adjust the camera angles to be parallel with the road.
5. Tighten the screws and connect the 4m extension cable.
6. Run the extension cable through the headliner, down the A pillar and connect the 4 pin connectors to the video inputs on the DVR.
7. Power up the DVR and confirm the SVA055 field of views are properly angled to capture the road and driver. You can use the LCD monitor or the install wizard to verify.



NOTE: Cut wire to convert driver camera to AHD (720p). CP4 ch4 input requires default (CVBS) mode.

To learn more about proper camera installation, click [here](#).

All cellular-enabled SmartWitness recorders must use the installation wizard for proper onboarding and activation.

Please visit install.smartwitness.com to register, login, download guides, and launch the SmartInstall wizard. For installation support please email install@smartwitness.net.